
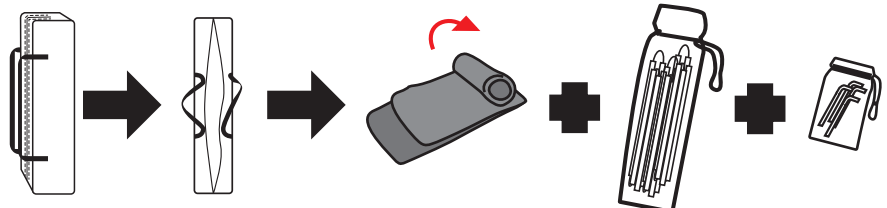


### 0 - CHECK LIST

COBRA 



4010037900 (ECN20063657-03)

### 1 - SET UP

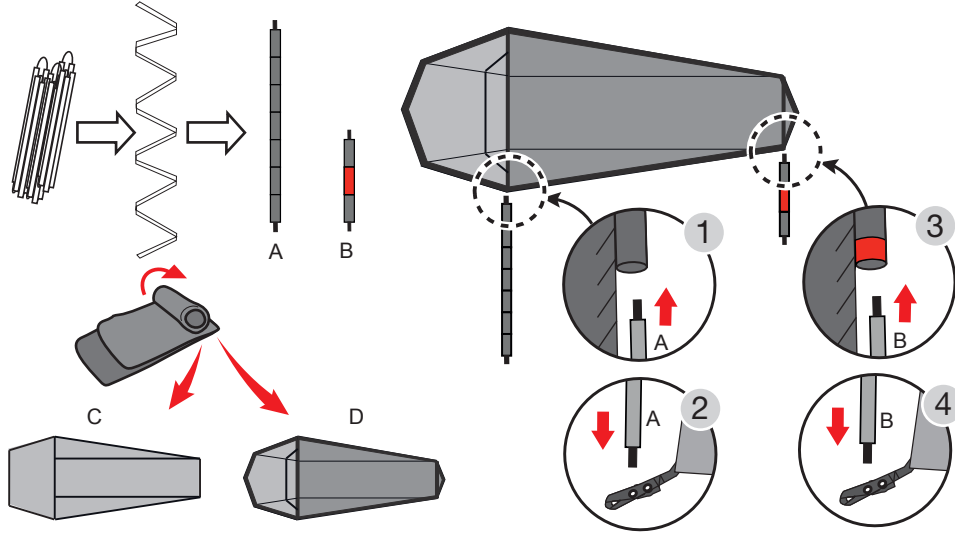


Diagram illustrating the preparation of poles and the attachment of the tent body. It shows the poles being cut to length (A and B) and the tent body being attached to the poles (C and D). The diagram includes numbered callouts 1, 2, 3, and 4, showing the process of inserting the poles into the tent body and securing them with the provided caps.

### 2 - SET UP

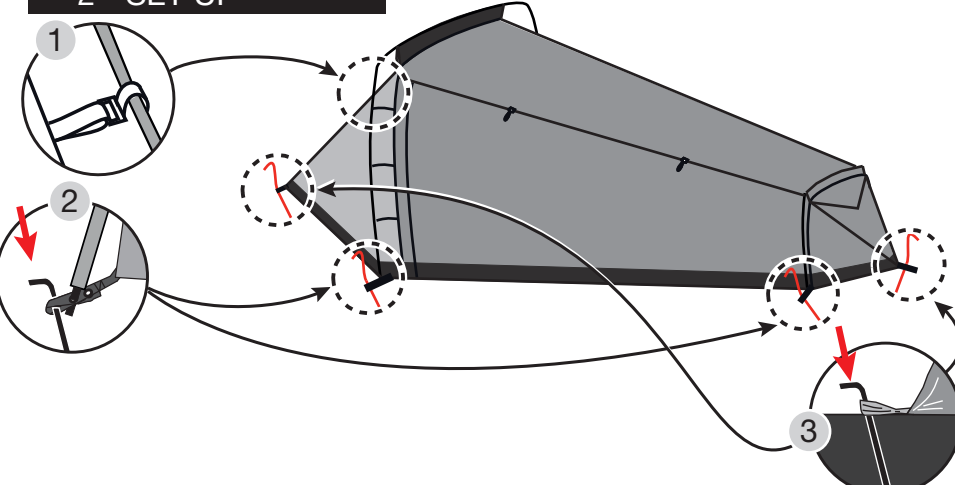


Diagram illustrating the tent being pitched and secured to the ground. It shows the tent being attached to the ground using stakes (1) and the tent being secured to the ground using stakes (2). The diagram includes numbered callouts 1, 2, and 3, showing the process of securing the tent to the ground.

### 3 - SET UP

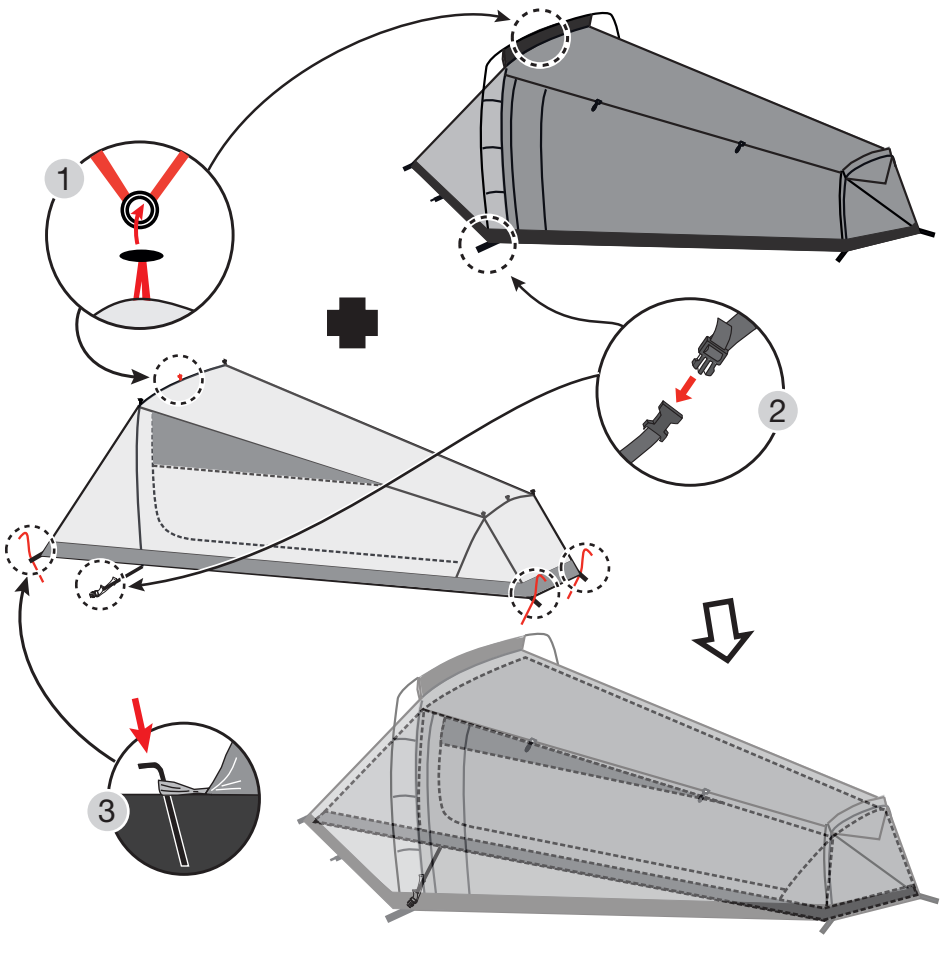


Diagram illustrating the tent being fully pitched and secured. It shows the tent being attached to the ground using stakes (1) and the tent being secured to the ground using stakes (2). The diagram includes numbered callouts 1, 2, and 3, showing the process of securing the tent to the ground.

### 4 - SET UP

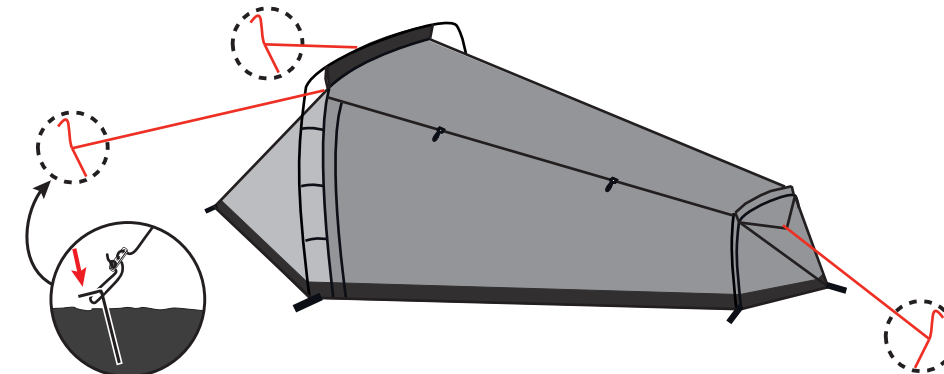
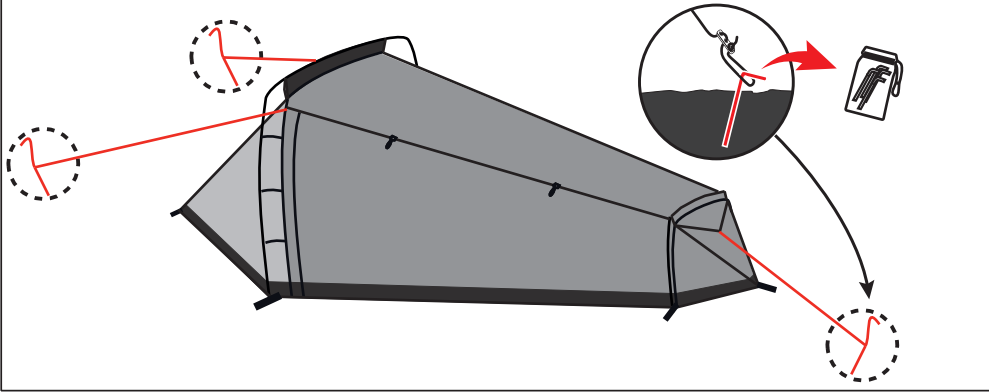
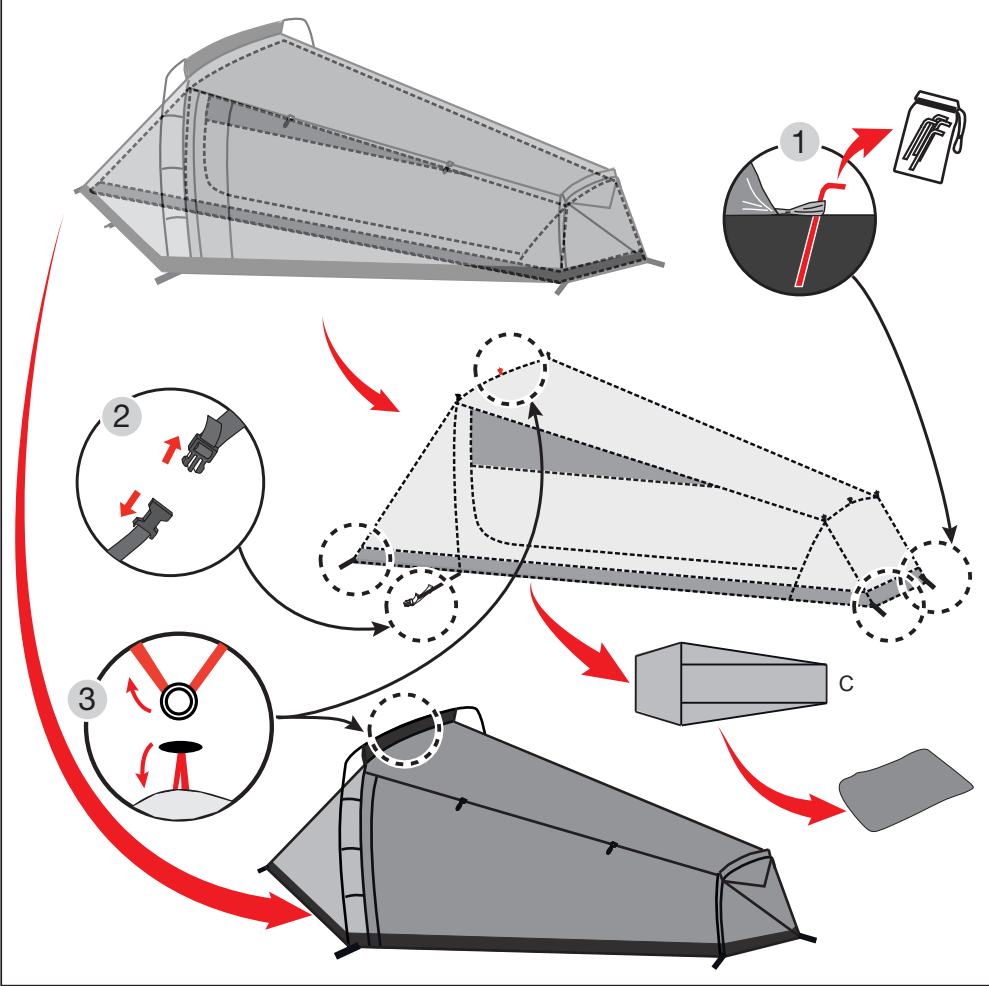


Diagram illustrating the final steps of setting up the tent. It shows the tent being attached to the ground using stakes (1) and the tent being secured to the ground using stakes (2). The diagram includes numbered callouts 1, 2, and 3, showing the process of securing the tent to the ground.

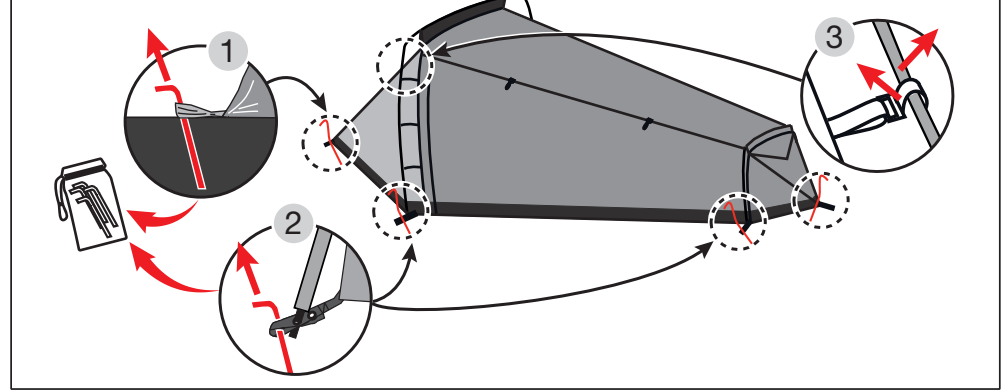
1 - SET DOWN



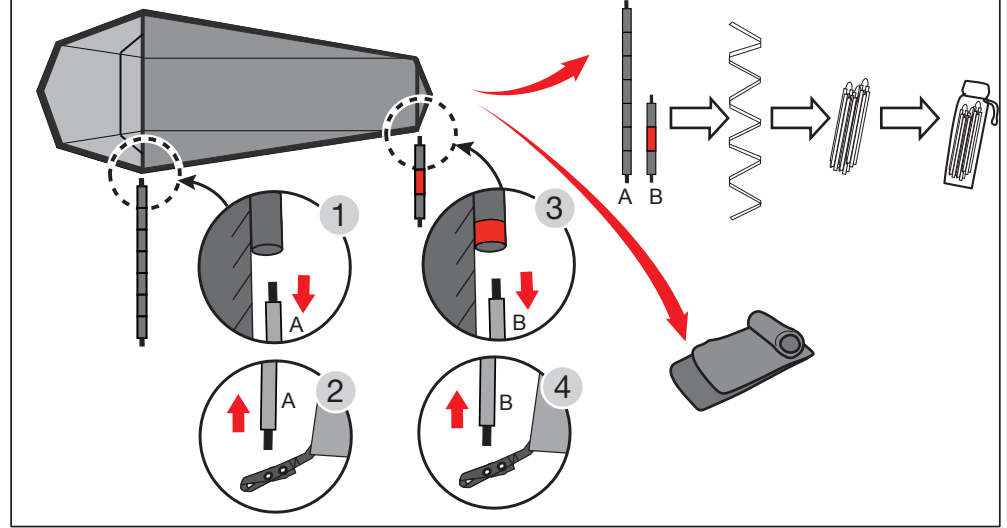
2 - SET DOWN



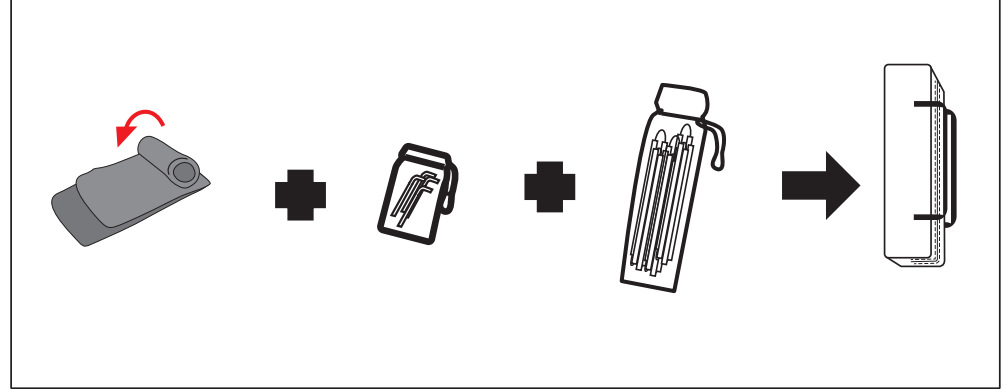
3 - SET DOWN



4 - SET DOWN



5 - SET DOWN



## Stitch Line

Warning-Attention-Achtung-Waarschuwing-Advarsler-Advarsel-Varning-Upozorněni-Attenzione-Advertencia-Atenção-Varoitus-Uwaga-Upozornenie-Opozorilo-Upozorenje-Figyelmeztetés-Предупреждение-Atenție-Ispėjimas-Внимание-Ноиatus-Brīdinājums-Προειδοποίηση-  
-Uyarı - راذح

- GB** Make sure your tent is dry before packing  
Store in a dry and well ventilated area
- FR** Vérifiez que votre tente est bien sèche avant de la ranger  
Ranger en lieu sec et bien ventilé
- DE** Überprüfen Sie vor dem Wegräumen, dass ihr Zelt wirklich trocken ist  
An einem trockenen und gut durchlüfteten Ort aufbewahren
- NL** Zorg ervoor dat uw tent droog is voordat u ze inpakt  
Bewaar de tent op een droge en goed verluchte plaats
- IT** Verificate che la tenda sia perfettamente asciutta prima di riporla  
Riporre in luogo asciutto e ben ventilato
- ES** Compruebe que la tienda de campaña esté seca antes de guardarla.  
Guárdela en un lugar seco y bien ventilado
- PT** Certifique-se que a tenda está seca antes de a embalar.  
Guardar em local seco e bem ventilado
- CZ** Před zabaléním se ujistěte, že je vš stan suchý.  
Skladujte na suchém a dobře větraném místě.
- FI** Varmista, että teltta on kuivunut ennen kuin pakkaat sen  
Säilytä kuivassa ja hyvin tuuletetussa paikassa
- DK** Sørg for, at dit telt er tørt, før du pakker det.  
Opbevar på et tørt og godt ventileret sted
- SE** Se till att Ditt tält är torrt innan det packas  
Förvara i torrt och väl ventilerat utrymme
- NO** Sørg for at teltet ditt er tørt før du pakker det sammen  
Lagres på et tørt og godt ventilert sted.
- PL** Przed złożeniem należy sprawdzić, czy namiot jest suchy  
Przechowywać w suchym i dobrze wietrzonym miejscu
- SI** Šotor mora biti pred pakiranjem suh  
Hranite v suhem in dobro prezračnem prostoru
- SK** Pred zbalením skontrolujte, či je stan vyschnutý  
Skladujte na suchom a dobre vetranom mieste
- HU** Becsomagolás előtt győződjön meg arról, hogy a sátor megszáradt  
Száras, jól szellőző helyen tárolandó
- HR** Uvjerite se da je vaš šator osušen prije pakiranja  
Pohraniti na suhom i dobro prozračenom području
- RU** Перед тем как упаковывать тент, убедитесь в том, что он высох.  
Храните в сухом и хорошо проветриваемом месте
- BG** Преди опаковане се уверете, че палатката е суха  
Съхранявайте на сухо и добре проветрено място
- RO** Înainte de împachetare, asigurați-vă că cortul este uscat.  
Depozitați într-un loc uscat și bine ventilat
- EE** Kontrollige, et telk oleks enne pakkimist kuiv.  
Hoida kuivas ja hästi õhutatud kohas
- LV** Pārlicinieties, ka pirms salikšanas jūsu telts ir sausa  
Uzglabāt sausā, labi vēdināmā vietā
- LT** Prieš supakuodami įsitikinkite, ar jūsų palapinė išdžiuvusi  
Saugoti sausoje ir gerai vėdinamoje vietoje
- GR** Βεβαιωθείτε ότι η σκηνή σας είναι στεγνή πριν την πακετάρετε.  
Αποθηκεύστε τη σκηνή σε στεγνή περιοχή με καλό εξαερισμό.
- TR** Çadırınızı paketlemeden önce kuru olduğundan emin olun  
Kuru ve iyi havalandırılan yerde saklayın
- AR** تأكد من جفاف خيمتك قبل حزمه.  
يتم التخزين في مكان جاف جيد التهوية.