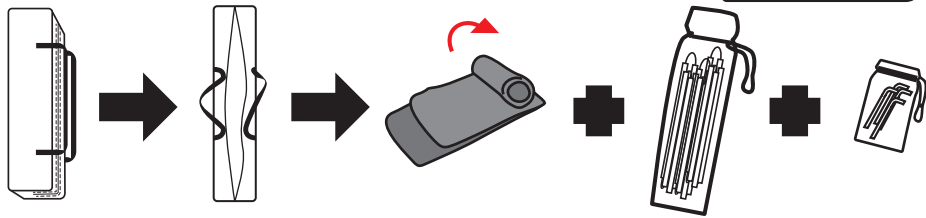
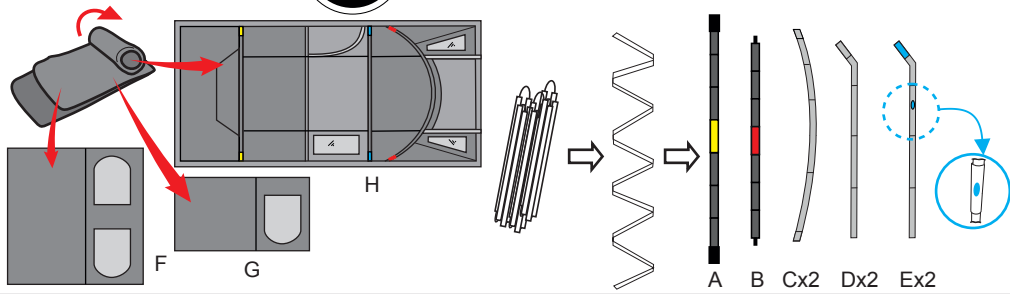


0 - CHECK LIST

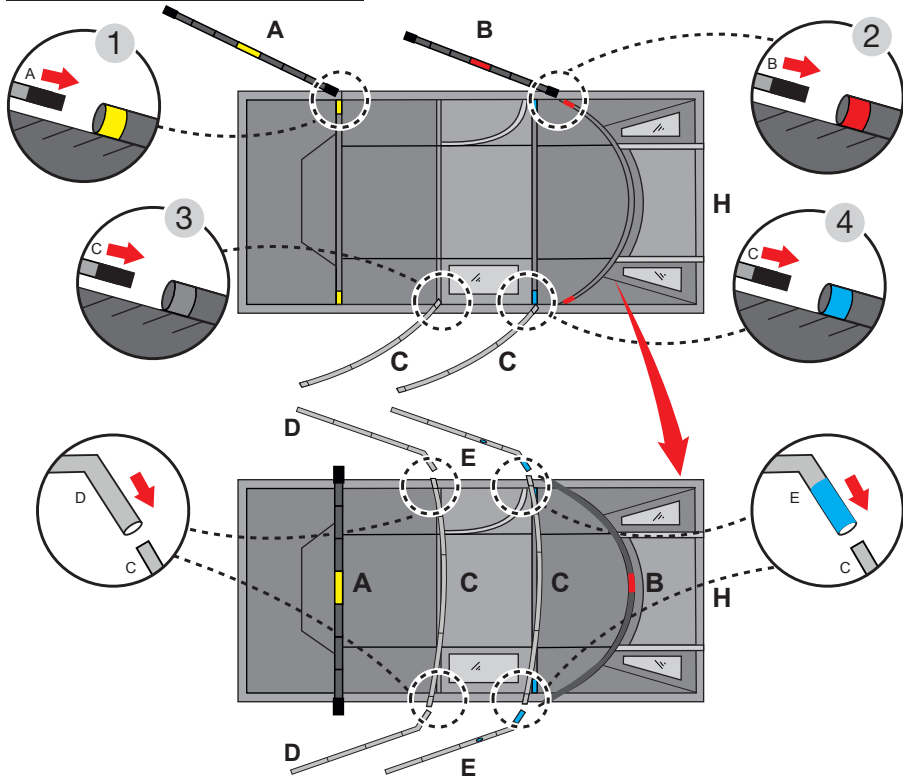
VESPUCCI



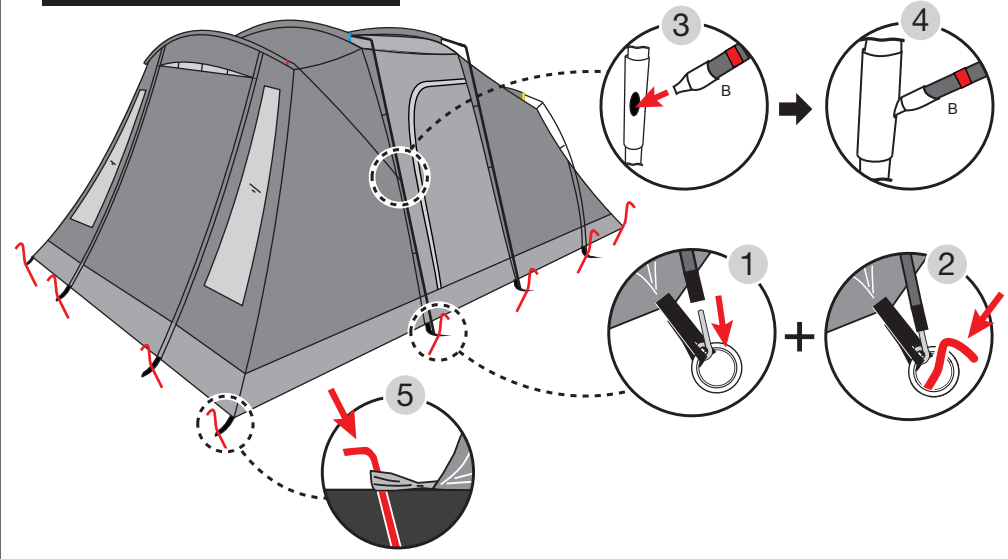
1 - SET UP



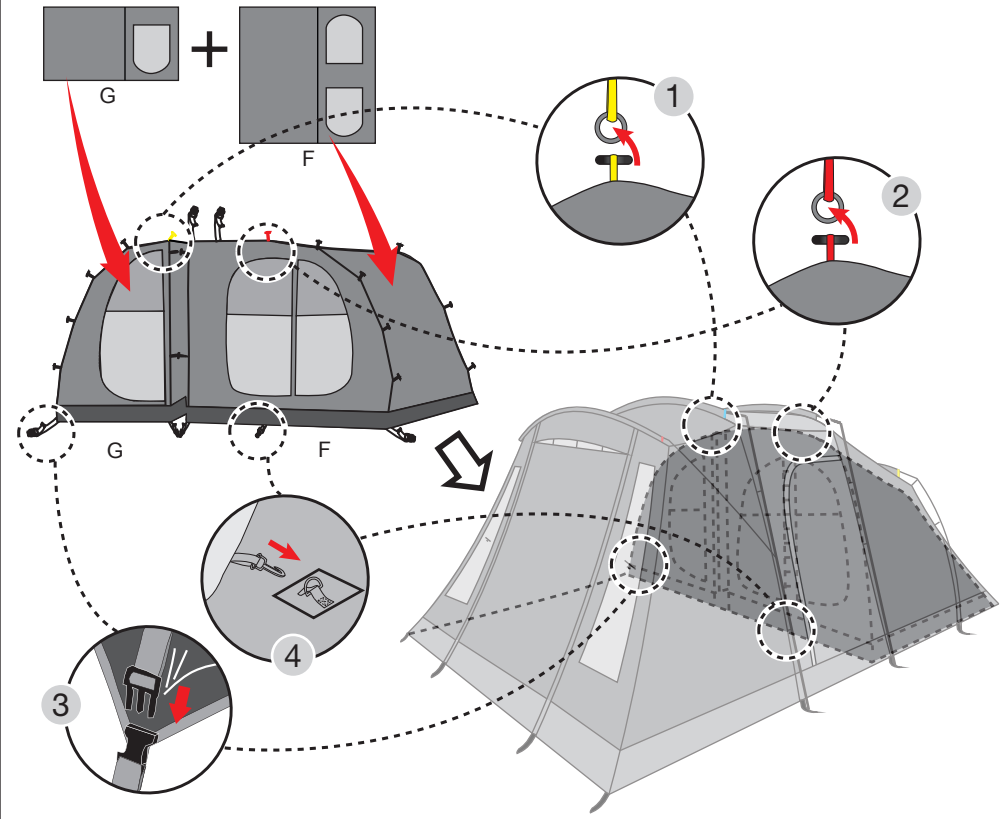
2 - SET UP



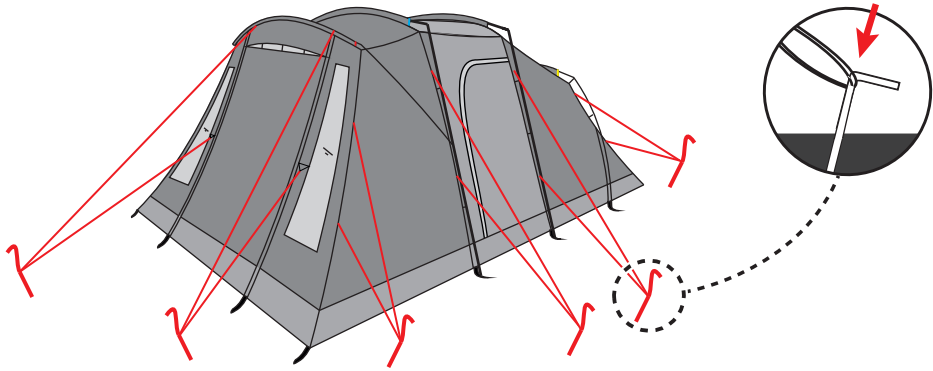
3 - SET UP



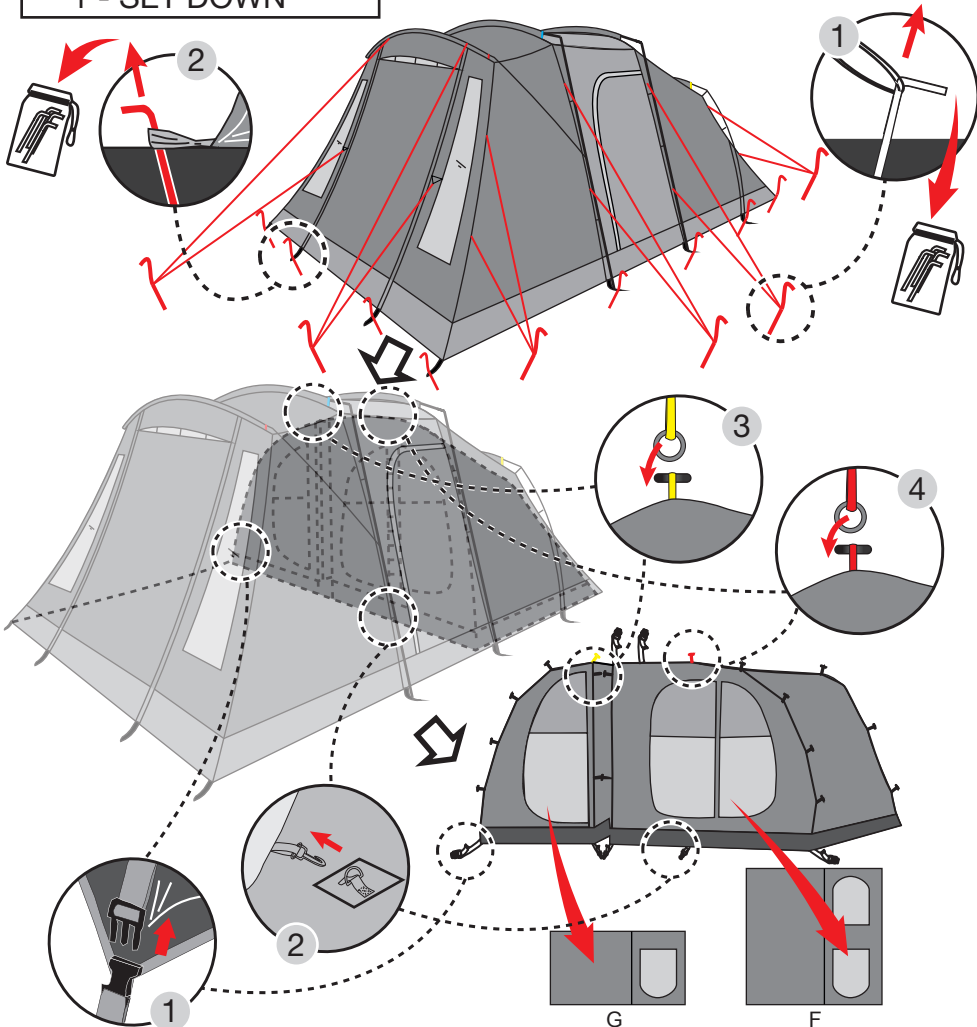
4 - SET UP



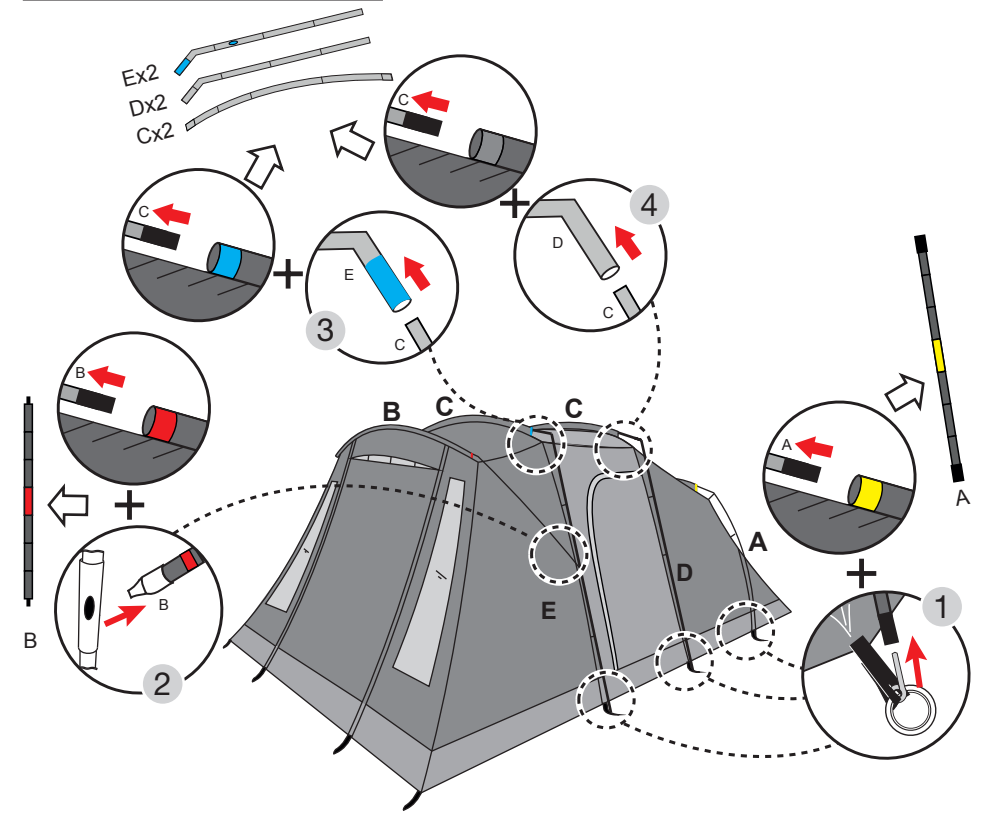
5 - SET UP



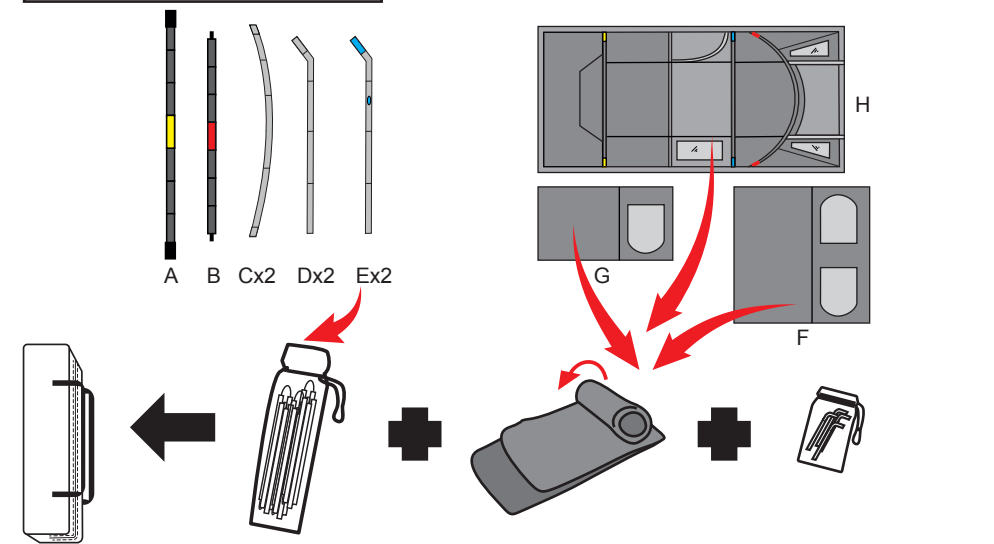
1 - SET DOWN



2 - SET DOWN



3 - SET DOWN



Stitch Line