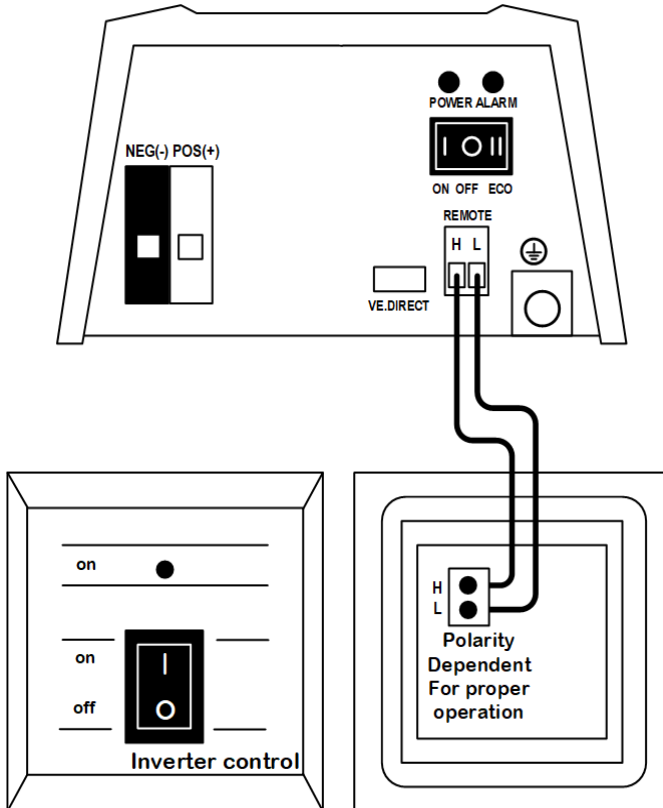
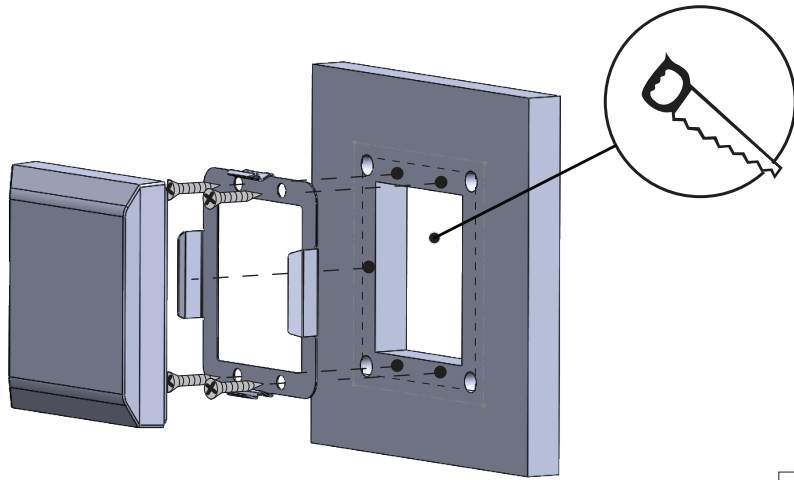


## Phoenix Inverter control VE.Direct (REC040010210R)

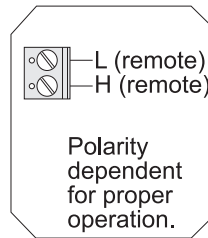
This panel is intended for remote on/off control of all the VE.Direct Phoenix inverter models.



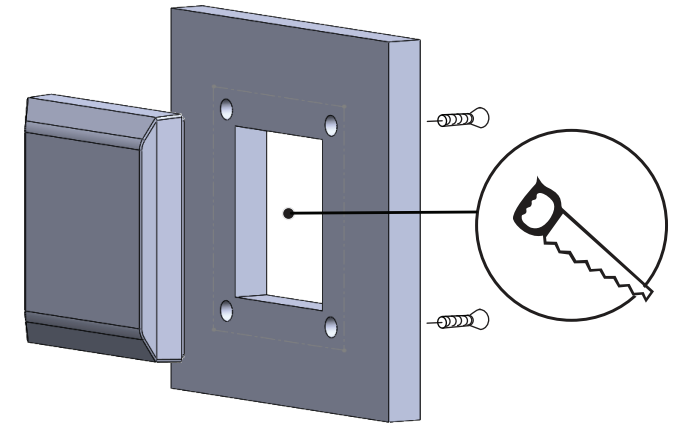
### Mounting with metal frame



### Connection Diagram

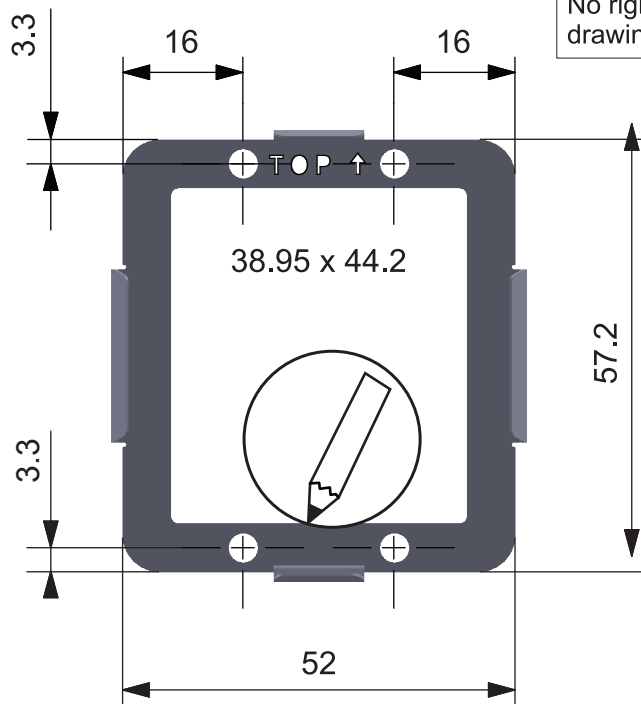


### Mounting



Please check the scale before using this paper as a template for cutting a hole in your panel !!  
No rights can be derived from this drawing.

Use the metal frame as a template for marking



Template for drilling and cutting

